

## 30mm Weather Louvres

### Description

For intake or extract air, the 45° blades are fixed at 30mm centres and have excellent integral rain defence features. Suitable for external mounting and designed for smaller louver panels.

### Construction

From extruded aluminium sections, frame and blades 1.6mm thick. Hairline mitres mechanically held. Fitted as standard with rear galvanised steel bird mesh screen.

### Size and Weight

From 150 x 150 to 1200 x 1200, concealed rear mullions when width exceeds 900mm.

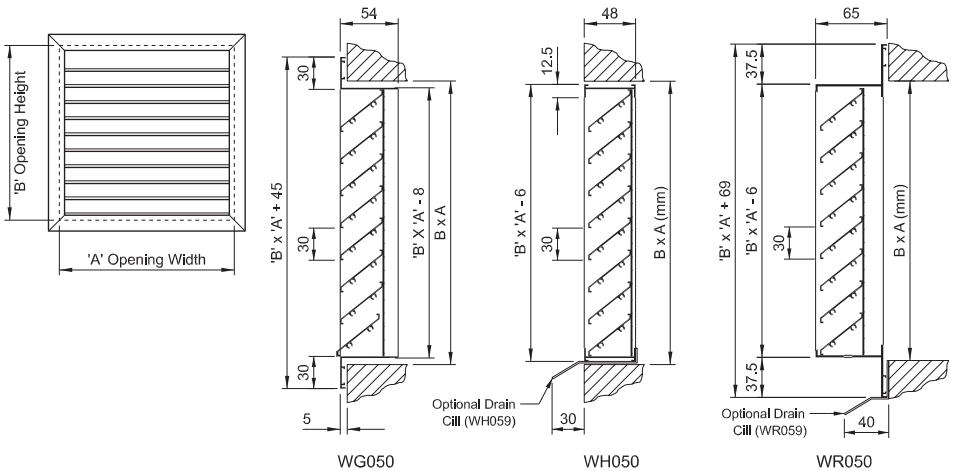
Weight approximately 11.5kg/m<sup>2</sup>.

Free area 50%.

### Product Specification

STATE QUANTITY, THE PRODUCT CODING AND THE SIZE WIDTH X HEIGHT

e.g. 10 Qty. WG050+0C 500 x 300.



Frame Style	Panel Options	Mesh Options	Accessories
<b>WG</b> 30mm Flange	<b>0</b> Single Panel	<b>5</b> Bird Mesh	<b>0</b> None
<b>WH</b> Recessed Frame		<b>7</b> Insect Mesh	<b>9</b> Drain Cill
<b>WR</b> Reversed Angle Frame		<b>0</b> None	



Fixings	Finish
<b>0</b> None	<b>D</b> Mill Finish
<b>1</b> Flange Holes	<b>C</b> PPC BS / RAL Colour
<b>4</b> Rear Fixing Lugs	<b>A</b> Satin Anodised (WG050 Only)