

Displacement Diffusers

Description

GDL's range of high quality displacement diffusers are designed to introduce cool clean air into the occupied zone at low level. By introducing air at low level and at low velocity, the air 'pools' at floor level rather than mixing with the room air. As the room air is warmer than the incoming air it is displaced to high level where it can be extracted, thus creating a layer of cool clean fresh air at occupancy level.

Construction

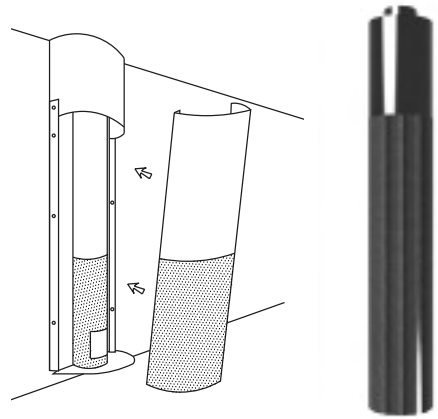
Manufactured from perforated mild steel sheet with mild steel capping and plinth.

The units are polyester powder coated to RAL9010 white as standard, other colours are available on request. Stainless steel construction is available as an option, these will usually be manufactured in grade 304 Stainless and finished to a dull polish. All units can be reinforced for use in areas where a more robust diffuser is required.

Duct covers can be provided when required.

Size

A large selection of shapes and sizes are available, including square, round, half round and bow front, as well as column surrounds. We can also manufacture bespoke units to suit your application. Please contact our sales office to discuss your size and shape requirements.



Displacement Diffuser	Type	Options	Inlet Spigot Position
Q6	0 Flat mount Surface	0 None	0 No Plenum No spigot
	1 Flat Front Recessed Mount	P Plinth	1 Top Inlet
	2 Round	C Duct cover	2 Rear Inlet
	3 Half Round	D Plinth and Duct Cover	3 Bottom Inlet
	4 Bow front		
	5 Column Surround		



Fixings	Finish
1 Flange Fixing	C PPC
2 Screw Fix Through Case Via Removeable Core	P Dull Polish Stainless Steel
4 External Fixing Lugs	
8 Rear Fixing Rails Where Applicable	

