

Eggcrate Core Grille

Description

For extract or air transfer applications, eggcrate core grilles have the highest possible free area of approximately 85%, thus keeping grille sizes to a minimum. When viewed from any off-centre position this grille has a no-see-through appearance

Construction

The frame is manufactured from 1.6mm thick extruded aluminium alloy section and the aluminium core cell size is 12.5mm x 12.5mm x 12.5mm

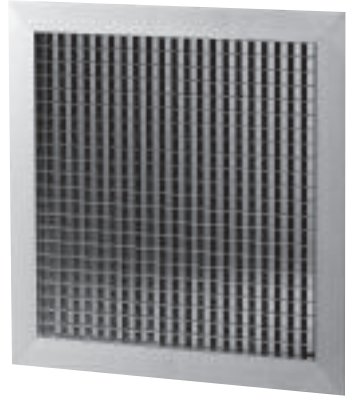
Size and Weight

From 100 x 100 to 1200 x 1200 in 25mm increments.
Grille only 7.8kg/m², Grille + OBD 15.8kg/m²
Free Area approximately 85%

How to Specify

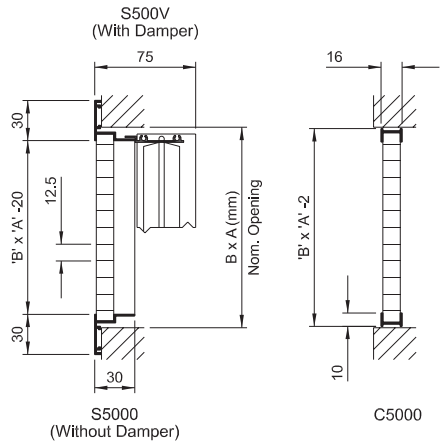
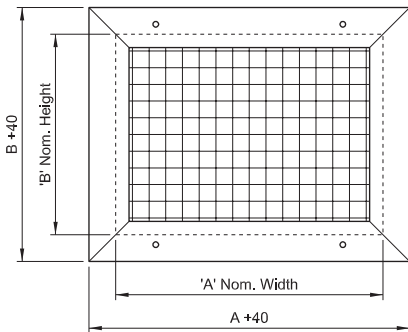
STATE QUANTITY, THE PRODUCT CODING AND THE SIZE WIDTH X HEIGHT

e.g. 10 Qty, S500V+1A 300 x 150



Frame Style	Core	Options	Accessories
S 30mm Flange	50 12.5 x 12.5 Aluminium	0 Fixed	0 None
C Channel Frame		H Hinged Core	V Damper
0 Core Only		R Removable Core	

Fixings	Finish
1 Flange Holes	A Satin Anodised
2 Neck Fixings	C PPC BS /RAL Colour
6 Lay-In Tile Replacer	D Mill Finish



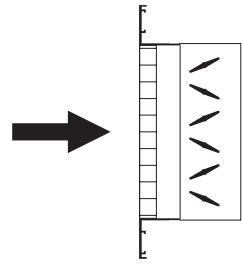
Technical Data Sidewall Mounted Extract Air Grilles

S300V 0° Fixed Blade

S500V EggCrate

A5000 EggCrate

S830V Fixed Blade



Ac (M ²)	APERTURE A x B (mm)	Vf (M/S)	1.5	2.0	2.5	3.0	3.5	4.0	5.0
		Psn (Pa)	4	6	9	13	18	22	35
0.017	200 x 100	I/s	25	35	42	52	61	71	87
	150 x 150	NC	-	-	-	-	21	25	31
0.024	200 x 150	I/s	38	50	61	73	85	100	125
	350 x 100	NC	-	-	-	16	23	26	32
0.033	250 x 150	I/s	50	66	83	100	115	132	165
	200 x 200	NC	-	-	-	17	25	27	34
0.042	350 x 150	I/s	65	85	105	125	150	170	210
	250 x 200	NC	-	-	-	18	26	28	35
0.051	400 x 150	I/s	80	105	130	155	180	210	260
	300 x 200 250 x 250	NC	-	-	-	19	26	28	37
0.065	300 x 250	I/s	100	135	165	200	230	265	330
	500 x 150 350 x 200	NC	-	-	-	20	27	30	38
0.079	350 x 250	I/s	120	160	200	240	280	320	400
	300 x 300 450 x 200	NC	-	-	15	21	28	31	40
0.093	400 x 250	I/s	140	190	235	285	330	375	470
	350 x 300 500 x 200	NC	-	-	16	22	28	31	41
0.111	500 x 250	I/s	170	225	285	340	400	455	565
	350 x 350 400 x 300	NC	-	-	16	23	29	33	42
0.125	400 x 350	I/s	190	255	320	380	445	510	635
	450 x 300 550 x 250	NC	-	-	17	23	30	33	44
0.145	450 x 350	I/s	220	295	370	440	515	590	735
	400 x 400 550 x 300	NC	-	-	18	24	30	34	44
0.164	500 x 350	I/s	250	335	420	500	585	670	835
	450 x 400 600 x 300	NC	-	-	19	24	31	35	44
0.186	500 x 400	I/s	285	375	475	565	660	755	945
	450 x 450 700 x 300	NC	-	-	19	25	32	35	45
0.231	550 x 450	I/s	355	470	590	710	825	945	1180
	500 x 500 650 x 400	NC	-	-	20	26	33	36	46
0.251	600 x 450	I/s	380	510	635	765	890	1020	1275
	700 x 400 900 x 300	NC	-	-	20	26	33	36	46
0.300	750 x 450	I/s	455	605	755	905	1055	1210	1510
	800 x 400 600 x 550	NC	-	-	22	27	34	38	48
0.335	800 x 450	I/s	510	680	850	1020	1190	1365	1700
	600 x 600 900 x 400	NC	-	-	22	27	35	38	50
0.390	900 x 450	I/s	595	795	995	1190	1390	1590	1980
	1200 x 350 700 x 600	NC	-	-	23	29	35	39	52
0.510	1200 x 450	I/s	775	1035	1295	1555	1810	2070	2585
	900 x 600 750 x 750	NC	-	-	24	29	36	40	-
0.570	1200 x 500	I/s	870	1160	1450	1740	2030	2320	2880
	1000 x 600	NC	-	15	24	30	37	41	-
0.686	1200 x 600	I/s	1045	1400	1750	2100	2450	2800	3500
	900 x 800	NC	-	16	25	32	40	43	-