

Flat Cover Grille

Description

For extract or air transfer applications. The neat 15mm deep bevelled frame presents a flush unobtrusive appearance. It is ideal for doors, partitions, walls, duct or ceiling mounting as it does not protrude into the opening.

Construction

From extruded aluminium alloy sections, frame 1.6mm thick. Hairline mitres are mechanically locked and welded for maximum durability.

Size and Weight

From 100 x 100 to 1200 x 1200 in 25mm increments.

For larger sizes contact Sales Office .

Grille only 12.5kg/m².

Free Area: A5000 approximately 85%,

A6000 approximately 46%



How to Specify

STATE QUANTITY, THE PRODUCT CODING AND THE SIZE

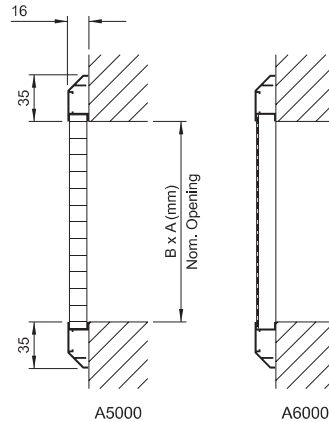
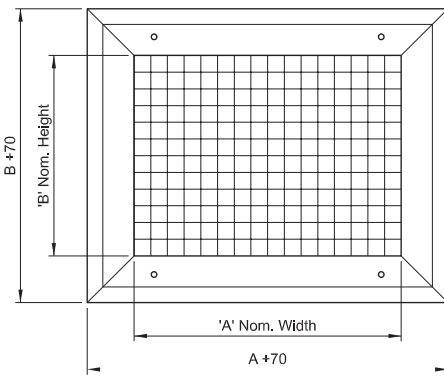
WIDTH X HEIGHT

e.g. 10 Qty. A5000+1A 300 x 150

Frame Style	Core	Options	Accessories
A 35mm Surface Mount	50 12.5 x 12.5 Eggcrate	0 Single Grille	0 None
	60 Perforated Core		



Fixings	Finish
1 Flange Holes	A Satin Anodised
	C PPC BS /RAL Colour
	D Mill Finish



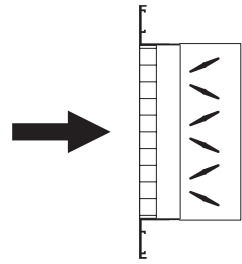
Technical Data Sidewall Mounted Extract Air Grilles

S300V 0° Fixed Blade

S500V EggCrate

A5000 EggCrate

S830V Fixed Blade



Ac (M ²)	APERTURE A x B (mm)	Vf (M/S)	1.5	2.0	2.5	3.0	3.5	4.0	5.0
		Psn (Pa)	4	6	9	13	18	22	35
0.017	200 x 100	I/s	25	35	42	52	61	71	87
	150 x 150	NC	-	-	-	-	21	25	31
0.024	200 x 150	I/s	38	50	61	73	85	100	125
	350 x 100	NC	-	-	-	16	23	26	32
0.033	250 x 150	I/s	50	66	83	100	115	132	165
	200 x 200	NC	-	-	-	17	25	27	34
0.042	350 x 150	I/s	65	85	105	125	150	170	210
	250 x 200	NC	-	-	-	18	26	28	35
0.051	400 x 150	I/s	80	105	130	155	180	210	260
	300 x 200 250 x 250	NC	-	-	-	19	26	28	37
0.065	300 x 250	I/s	100	135	165	200	230	265	330
	500 x 150 350 x 200	NC	-	-	-	20	27	30	38
0.079	350 x 250	I/s	120	160	200	240	280	320	400
	300 x 300 450 x 200	NC	-	-	15	21	28	31	40
0.093	400 x 250	I/s	140	190	235	285	330	375	470
	350 x 300 500 x 200	NC	-	-	16	22	28	31	41
0.111	500 x 250	I/s	170	225	285	340	400	455	565
	350 x 350 400 x 300	NC	-	-	16	23	29	33	42
0.125	400 x 350	I/s	190	255	320	380	445	510	635
	450 x 300 550 x 250	NC	-	-	17	23	30	33	44
0.145	450 x 350	I/s	220	295	370	440	515	590	735
	400 x 400 550 x 300	NC	-	-	18	24	30	34	44
0.164	500 x 350	I/s	250	335	420	500	585	670	835
	450 x 400 600 x 300	NC	-	-	19	24	31	35	44
0.186	500 x 400	I/s	285	375	475	565	660	755	945
	450 x 450 700 x 300	NC	-	-	19	25	32	35	45
0.231	550 x 450	I/s	355	470	590	710	825	945	1180
	500 x 500 650 x 400	NC	-	-	20	26	33	36	46
0.251	600 x 450	I/s	380	510	635	765	890	1020	1275
	700 x 400 900 x 300	NC	-	-	20	26	33	36	46
0.300	750 x 450	I/s	455	605	755	905	1055	1210	1510
	800 x 400 600 x 550	NC	-	-	22	27	34	38	48
0.335	800 x 450	I/s	510	680	850	1020	1190	1365	1700
	600 x 600 900 x 400	NC	-	-	22	27	35	38	50
0.390	900 x 450	I/s	595	795	995	1190	1390	1590	1980
	1200 x 350 700 x 600	NC	-	-	23	29	35	39	52
0.510	1200 x 450	I/s	775	1035	1295	1555	1810	2070	2585
	900 x 600 750 x 750	NC	-	-	24	29	36	40	-
0.570	1200 x 500	I/s	870	1160	1450	1740	2030	2320	2880
	1000 x 600	NC	-	15	24	30	37	41	-
0.686	1200 x 600	I/s	1045	1400	1750	2100	2450	2800	3500
	900 x 800	NC	-	16	25	32	40	43	-