

# Multi-Cone Ceiling Diffusers

## Description

For supply or extract air, multi-cone design with quick release core and 2 position setting for heating and cooling. Available in a range of different core styles and sizes giving total flexibility for installation in modern ceiling tile applications. Flanged for surface mounting or lay-in ceiling grid.

## Construction

From extruded aluminium sections, outer frame and inner cores 1.6mm thick. Hairline mitres mechanically held. Optional OBD is of extruded aluminium.

## Size and Weight

From 150 x 150 neck size to 1500 x 1500 overall in 25mm increments.

Diffuser only 9.0kg/m<sup>2</sup>. Diffuser and OBD 14.0kg/m<sup>2</sup>. Free Area 46%

## How to Specify

STATE QUANTITY, THE PRODUCT CODING AND THE SIZE WIDTH X HEIGHT

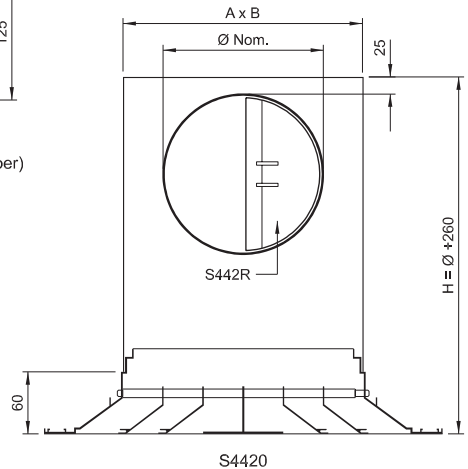
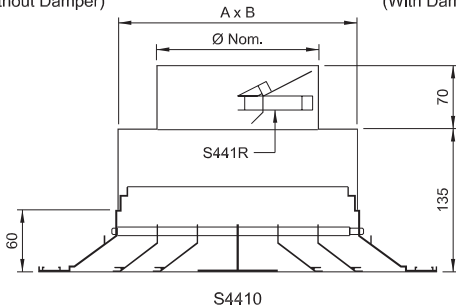
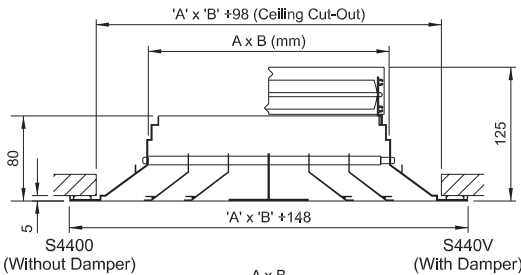
e.g. 10 Qty. S442V+6C 450 x 450.



Frame Style	Core	Options	Accessories
<b>S</b> 30mm Flange	<b>44</b> 4 - Way	<b>0</b> None	<b>0</b> None
<b>B</b> 32mm Bevel Edged Flange	<b>43</b> 3 - Way	<b>1</b> Top Inlet Plenum	<b>V</b> Damper
	<b>42</b> 2 - way	<b>2</b> Side Inlet Plenum	<b>R</b> Twin Blade Damper
	<b>41</b> 1 - Way		

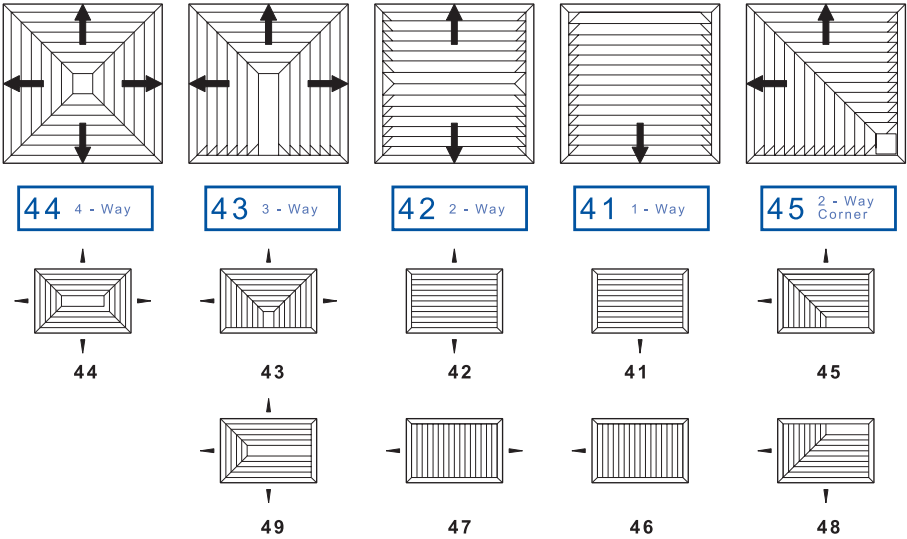


Fixings	Finish
<b>2</b> Neck Fixings	<b>C</b> PPC BS / RAL Colour
<b>1</b> Flange Holes	<b>A</b> Satin Anodised
<b>5</b> Clip-in T-Bar	<b>D</b> Mill Finish
<b>6</b> Lay-in Tile Replacer	<b>B</b> B PPC RAL 9010



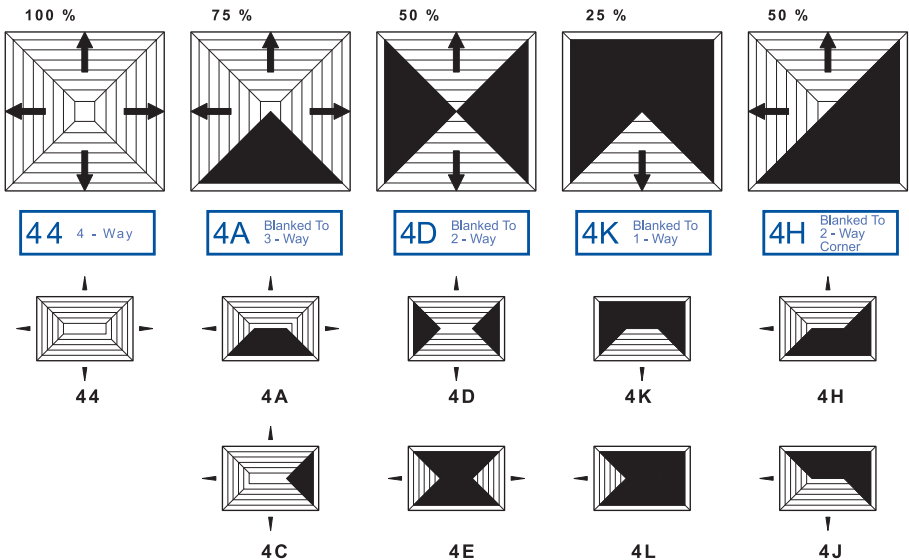
# Multi-Cone Ceiling Diffusers Core Options

## Core



All Throw Patterns As Viewed On Rear Of Diffuser Neck.

## 4 - Way Multi Cone Diffuser with factory fitted directional blanking plate



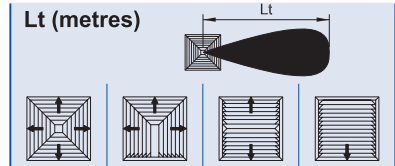
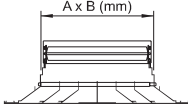
All Throw Patterns As Viewed On Rear Of Diffuser Neck.

# Technical Data

## Multi-Cone Diffusers

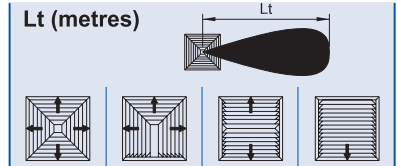
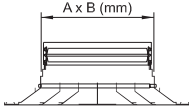
### Multi-Cone selection Data.

All data is based on a ceiling height of 2.7 metres and a temperature differential of 10°C cooling.  
Tabulated throw values (Lt) are with an unobstructed flush ceiling and to a point where the air velocity has reduced to 0.5 m/s on the short throw and 0.25 m/s on the longer throw.



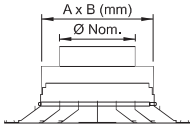
q (l/s)	A x B	Vn (M/s)	Ps (Pascals)	NC	44 (4 - Way)	43 (3 - Way)	42 (2 - Way)	41 (1 - Way)
40	150 x 150	1.8	7	-	0.9 - 1.8	1.0 - 2.0	1.2 - 2.2	1.4 - 2.4
	200 x 200	1.0	4	-	0.6 - 1.2	0.7 - 1.5	0.9 - 2.0	1.2 - 2.6
60	150 x 150	2.7	16	-	1.5 - 2.4	1.6 - 2.6	1.8 - 3.0	2.2 - 3.5
	200 x 200	1.5	7	-	1.0 - 1.7	1.0 - 2.0	1.3 - 2.5	1.6 - 3.0
80	150 x 150	3.6	30	23	1.8 - 3.6	2.1 - 4.0	2.4 - 4.4	3.0 - 5.5
	200 x 200	2.0	14	20	1.5 - 2.3	1.7 - 2.8	2.0 - 3.2	2.6 - 3.8
	250 x 250	1.3	2	-	0.6 - 1.2	0.8 - 1.4	1.0 - 1.8	1.5 - 2.7
100	150 x 150	4.5	42	31	2.4 - 4.0	2.6 - 4.3	3.0 - 5.0	3.6 - 6.0
	200 x 200	2.5	21	25	2.0 - 2.8	2.2 - 3.3	2.6 - 4.0	3.2 - 4.6
	250 x 250	1.6	6	-	1.0 - 2.0	1.2 - 2.3	1.5 - 2.7	1.8 - 3.6
120	200 x 200	3.0	25	28	2.5 - 3.3	2.8 - 3.8	3.2 - 4.4	4.0 - 6.0
	250 x 250	1.9	9	-	1.2 - 2.4	1.5 - 2.7	2.0 - 3.5	2.5 - 4.3
	300 x 300	1.3	5	-	1.0 - 2.0	1.2 - 2.2	1.5 - 3.0	2.0 - 4.0
140	200 x 200	3.5	32	32	2.8 - 3.6	2.8 - 3.6	4.0 - 5.3	5.0 - 6.5
	250 x 250	2.3	13	22	1.5 - 3.0	1.5 - 3.5	2.5 - 4.2	3.0 - 5.0
	300 x 300	1.6	6	-	1.2 - 2.4	1.5 - 2.8	1.8 - 3.4	2.5 - 4.7
160	200 x 200	4.0	39	36	3.3 - 4.1	3.8 - 5.0	4.5 - 6.0	5.5 - 7.2
	250 x 250	2.6	19	25	1.9 - 3.5	2.3 - 4.0	2.8 - 4.8	3.3 - 5.6
	300 x 300	1.8	9	-	1.5 - 2.6	1.8 - 3.0	2.0 - 4.0	2.7 - 5.0
	350 x 350	1.3	4	-	1.2 - 2.2	1.5 - 2.5	1.8 - 3.0	2.0 - 4.0
180	200 x 200	4.5	46	40	3.6 - 4.7	4.3 - 5.6	5.2 - 7.0	6.2 - 8.0
	250 x 250	2.9	22	28	2.3 - 3.9	2.6 - 4.5	3.3 - 5.4	3.6 - 6.2
	300 x 300	2.0	11	18	1.7 - 2.9	2.1 - 3.2	2.3 - 4.3	3.0 - 5.5
	350 x 350	1.5	5	-	1.3 - 2.4	1.7 - 2.8	2.0 - 3.4	2.4 - 4.9
200	400 x 400	1.1	3	-	1.0 - 2.2	1.4 - 2.3	1.7 - 3.0	2.2 - 4.4
	250 x 250	3.2	26	31	2.6 - 4.5	3.0 - 5.0	3.6 - 6.0	4.0 - 6.8
	300 x 300	2.2	13	19	2.0 - 3.2	2.3 - 3.6	2.7 - 4.6	3.3 - 6.0
	350 x 350	1.6	7	-	1.6 - 2.8	2.0 - 3.2	2.3 - 4.0	2.8 - 5.5
220	400 x 400	1.3	4	-	1.3 - 2.5	1.7 - 2.8	2.0 - 3.4	2.4 - 4.8
	250 x 250	3.5	30	33	2.8 - 4.8	3.2 - 5.5	4.0 - 6.5	4.5 - 7.6
	300 x 300	2.5	16	21	2.2 - 3.6	2.6 - 4.0	3.0 - 4.9	3.8 - 6.6
	350 x 350	1.8	9	-	1.8 - 3.2	2.2 - 3.6	2.6 - 4.4	3.2 - 6.0
240	400 x 400	1.4	5	-	1.4 - 2.7	1.8 - 3.1	2.3 - 3.9	2.9 - 5.4
	250 x 250	3.8	37	36	3.2 - 5.6	3.6 - 6.2	4.3 - 7.0	5.0 - 8.4
	300 x 300	2.7	20	23	2.5 - 4.0	2.9 - 4.5	3.5 - 5.3	4.5 - 7.3
	350 x 350	2.0	11	19	2.1 - 3.6	2.4 - 4.0	3.0 - 4.8	3.6 - 6.5
260	400 x 400	1.5	6	-	1.7 - 3.0	2.0 - 3.7	2.6 - 4.3	3.2 - 6.0
	250 x 250	4.2	44	39	3.4 - 6.0	4.0 - 6.7	4.6 - 7.6	5.3 - 9.0
	300 x 300	2.9	23	25	2.7 - 4.3	3.2 - 5.0	3.7 - 6.0	4.7 - 8.0
	350 x 350	2.1	13	20	2.3 - 3.9	2.7 - 4.5	3.2 - 5.4	4.0 - 7.2
280	400 x 400	1.6	7	-	2.0 - 3.2	2.3 - 4.0	2.8 - 4.6	3.5 - 6.6
	250 x 250	4.5	52	42	3.7 - 6.5	4.3 - 7.6	5.0 - 8.3	5.7 - 9.8
	300 x 300	3.1	27	28	3.0 - 4.8	3.5 - 5.5	4.0 - 6.6	5.0 - 8.5
	350 x 350	2.3	16	22	2.6 - 4.3	3.0 - 5.0	3.5 - 6.0	4.5 - 7.7
300	400 x 400	1.8	9	-	2.2 - 3.5	2.6 - 4.2	3.0 - 5.0	3.6 - 7.2
	450 x 450	1.4	6	-	1.8 - 3.2	2.2 - 3.7	2.6 - 4.2	3.2 - 6.5
	300 x 300	3.3	29	30	3.2 - 5.2	3.7 - 5.8	4.3 - 6.8	5.3 - 9.0
	350 x 350	2.5	18	23	2.8 - 4.6	3.3 - 5.2	3.7 - 6.3	4.8 - 8.2
320	400 x 400	1.9	10	18	2.4 - 3.8	2.8 - 4.6	3.3 - 5.5	3.9 - 7.8
	450 x 450	1.5	7	-	1.9 - 3.2	2.4 - 4.0	2.8 - 4.4	3.3 - 6.8
	500 x 500	1.2	3	-	1.5 - 3.0	2.0 - 3.4	2.2 - 3.8	2.7 - 5.5
	300 x 300	3.6	32	32	3.5 - 5.6	4.0 - 6.0	4.6 - 7.2	5.7 - 9.5
320	350 x 350	2.6	21	25	3.0 - 4.8	3.6 - 5.4	4.1 - 6.7	5.1 - 8.6
	400 x 400	2.0	11	19	2.6 - 4.0	3.3 - 5.0	3.6 - 6.0	4.3 - 8.0
	450 x 450	1.6	8	-	2.1 - 3.5	2.6 - 4.3	3.0 - 4.7	3.6 - 7.2
	500 x 500	1.3	4	-	1.7 - 3.2	2.2 - 3.7	2.5 - 4.2	3.0 - 6.2

# Technical Data Multi-Cone Diffusers

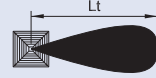


q (l/s)	A x B	Vn (M/s)	Ps (Pascals)	NC	Lt (metres)			
					44 (4-Way)	43 (3-Way)	42 (2-Way)	41 (1-Way)
340	300 x 300	3.8	36	34	3.7 - 5.8	4.2 - 6.3	4.8 - 7.5	6.0 - 10.2
	350 x 350	2.8	24	27	3.2 - 5.1	3.8 - 5.8	4.3 - 7.1	5.3 - 8.8
	400 x 400	2.1	13	21	2.8 - 4.2	3.5 - 5.3	3.8 - 6.3	4.5 - 8.3
	450 x 450	1.7	10	-	2.2 - 3.7	2.8 - 4.6	3.2 - 5.1	4.0 - 7.7
	500 x 500	1.4	5	-	1.8 - 3.4	2.3 - 3.9	2.7 - 4.5	3.5 - 7.0
360	300 x 300	4.0	42	36	3.9 - 6.0	4.5 - 6.8	5.1 - 7.7	6.2 - 10.8
	350 x 350	3.0	27	31	3.4 - 5.4	4.0 - 6.2	4.6 - 7.4	5.5 - 9.0
	400 x 400	2.3	16	23	3.0 - 4.5	3.7 - 5.6	4.1 - 6.6	4.7 - 8.6
	450 x 450	1.8	12	18	2.5 - 4.0	3.0 - 4.8	3.5 - 5.5	4.3 - 8.0
	500 x 500	1.5	7	-	2.0 - 3.7	2.5 - 4.2	3.0 - 5.0	4.0 - 7.6
	600 x 600	1.0	4	-	1.4 - 2.6	-	-	-
380	300 x 300	4.2	47	39	4.2 - 6.5	5.2 - 7.5	5.7 - 8.5	-
	350 x 350	3.1	30	32	3.7 - 5.7	4.2 - 6.6	4.9 - 7.6	5.8 - 9.3
	400 x 400	2.4	18	25	3.3 - 4.9	4.0 - 5.9	4.2 - 6.9	5.0 - 9.0
	450 x 450	1.9	14	20	2.7 - 4.2	3.2 - 5.1	3.7 - 5.8	4.7 - 8.5
	500 x 500	1.5	8	-	2.1 - 3.9	2.6 - 4.4	3.2 - 5.3	4.2 - 8.0
	600 x 600	1.1	4	-	1.6 - 3.0	-	-	-
400	300 x 300	4.5	54	43	4.5 - 7.0	-	-	-
	350 x 350	3.3	33	34	4.0 - 6.0	4.4 - 7.0	5.2 - 7.9	6.2 - 10.5
	400 x 400	2.5	21	27	3.5 - 5.2	4.2 - 6.2	4.5 - 7.2	5.2 - 9.3
	450 x 450	2.0	16	22	2.9 - 4.3	3.4 - 3.5	3.9 - 6.1	5.0 - 9.0
	500 x 500	1.6	10	-	2.3 - 4.2	2.8 - 4.7	3.4 - 5.5	4.5 - 8.3
	600 x 600	1.1	4	-	1.8 - 3.6	-	-	-
420	350 x 350	3.4	36	36	4.3 - 6.5	4.6 - 7.4	5.5 - 8.4	6.5 - 11.3
	400 x 400	2.6	23	29	3.7 - 5.5	4.4 - 6.7	4.7 - 7.6	5.5 - 10.0
	450 x 450	2.1	17	23	3.1 - 4.6	3.6 - 5.7	4.1 - 6.5	5.3 - 9.5
	500 x 500	1.7	11	-	2.4 - 4.4	3.0 - 5.1	3.6 - 6.2	4.7 - 8.6
	600 x 600	1.2	5	-	2.0 - 3.8	-	-	-
450	350 x 350	3.7	40	38	4.6 - 7.0	4.9 - 7.7	5.6 - 8.7	7.0 - 12.0
	400 x 400	2.8	26	31	3.9 - 6.0	4.6 - 7.2	5.0 - 8.0	5.7 - 10.5
	450 x 450	2.2	19	25	3.3 - 5.0	3.8 - 6.0	4.3 - 7.0	5.6 - 9.8
	500 x 500	1.8	12	18	2.6 - 4.6	3.3 - 5.5	3.9 - 6.6	5.2 - 9.0
	600 x 600	1.3	5	-	2.2 - 4.0	-	-	-
500	400 x 400	3.1	32	34	4.2 - 6.5	4.8 - 8.0	5.5 - 9.0	6.2 - 11.4
	450 x 450	2.5	23	28	3.5 - 5.5	4.2 - 6.6	4.7 - 7.5	6.1 - 10.7
	500 x 500	2.0	15	22	2.9 - 5.1	3.6 - 6.0	4.3 - 7.1	5.7 - 10.0
	600 x 600	1.4	7	18	2.5 - 4.4	-	-	-
550	400 x 400	3.4	38	38	4.6 - 7.2	5.3 - 8.7	6.0 - 10.0	7.0 - 12.0
	450 x 450	2.7	29	32	3.8 - 6.0	4.6 - 7.0	5.1 - 8.2	6.6 - 11.3
	500 x 500	2.2	18	26	3.2 - 5.7	3.8 - 6.8	4.7 - 7.8	6.2 - 10.3
	600 x 600	1.5	10	20	2.8 - 5.0	-	-	-
600	450 x 450	3.0	33	35	4.1 - 6.4	4.8 - 7.6	5.5 - 8.7	7.1 - 12.0
	500 x 500	2.4	21	28	3.5 - 6.2	4.1 - 7.1	5.0 - 8.2	6.5 - 11.0
	600 x 600	1.7	12	22	3.0 - 5.5	-	-	-
650	450 x 450	3.2	38	38	4.3 - 7.1	5.2 - 8.4	5.7 - 9.5	7.5 - 12.8
	500 x 500	2.6	25	31	3.7 - 6.5	4.4 - 7.8	5.2 - 9.0	7.0 - 12.0
	600 x 600	1.8	14	24	3.3 - 6.2	-	-	-
700	500 x 500	2.8	29	33	4.2 - 7.3	4.8 - 8.5	5.7 - 10.0	7.5 - 13.0
	600 x 600	2.0	17	26	3.5 - 6.5	-	-	-
750	500 x 500	3.0	32	35	4.5 - 7.8	5.2 - 8.8	6.0 - 10.5	7.7 - 13.5
	600 x 600	2.1	19	28	3.6 - 6.9	-	-	-
800	500 x 500	3.2	35	39	4.8 - 8.0	5.5 - 9.2	6.3 - 11.0	8.0 - 14.0
	600 x 600	2.2	22	30	3.8 - 7.2	-	-	-
1000	600 x 600	2.8	33	37	5.0 - 10.0	-	-	-

# Technical Data Multi-Cone Diffusers

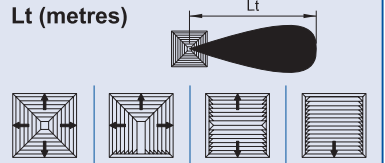
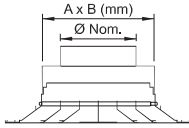


Lt (metres)



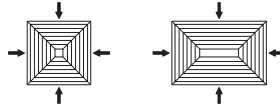
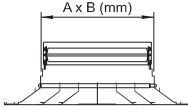
q (l/s)	Ø	A x B	Vn (M/s)	Ps (Pascals)	NC	44 (4-Way)	43 (3-Way)	42 (2-Way)	41 (1-Way)
30	150	200 x 200	1.7	4	-	0.8 - 1.2	1.0 - 1.5	1.2 - 1.7	1.5 - 2.0
	150	300 x 300	1.7	3	-	0.7 - 1.0	0.8 - 1.2	1.0 - 1.4	1.2 - 1.6
	150	400 x 400	1.7	1	-	0.6 - .09	0.7 - 1.0	0.8 - 1.2	1.0 - 1.5
40	150	200 x 200	2.3	6	-	1.0 - 1.4	1.2 - 1.7	1.4 - 2.0	1.7 - 2.3
	150	300 x 300	2.3	4	-	0.8 - 1.2	1.0 - 1.4	1.2 - 1.7	1.5 - 2.1
	150	400 x 400	2.3	2	-	0.7 - 1.0	0.8 - 1.1	1.0 - 1.5	1.3 - 1.9
	150	500 x 500	2.3	1	-	-	-	0.9 - 1.3	1.2 - 1.7
60	150	200 x 200	3.4	9	21	1.3 - 1.8	1.5 - 2.0	1.9 - 2.6	2.2 - 3.2
	150	300 x 300	3.4	6	19	1.1 - 1.5	1.4 - 1.8	1.7 - 2.4	2.0 - 3.0
	150	400 x 400	3.4	5	18	1.0 - 1.3	1.2 - 1.6	1.5 - 2.0	1.8 - 2.8
	150	500 x 500	3.4	3	17	1.0 - 1.2	1.2 - 1.5	1.4 - 1.8	1.6 - 2.3
	200	300 x 300	1.9	2	-	0.8 - 1.0	1.0 - 1.3	1.2 - 1.7	1.4 - 2.0
	150	200 x 200	4.5	15	26	1.8 - 2.5	2.0 - 2.7	2.5 - 3.2	3.0 - 4.0
80	150	300 x 300	4.5	10	24	1.4 - 2.2	1.8 - 2.2	2.2 - 3.0	2.8 - 4.0
	150	400 x 400	4.5	8	23	1.3 - 1.8	1.5 - 2.0	1.9 - 2.8	2.5 - 3.7
	150	500 x 500	4.5	7	20	1.2 - 1.6	1.3 - 1.8	1.6 - 2.2	2.0 - 3.0
	200	300 x 300	2.5	5	20	1.2 - 1.5	1.3 - 1.6	1.5 - 2.1	2.0 - 2.8
	200	400 x 400	2.5	4	17	1.1 - 1.5	1.2 - 1.6	1.3 - 2.0	1.8 - 2.6
	200	500 x 500	2.5	3	-	1.0 - 1.4	1.2 - 1.6	1.3 - 1.8	1.8 - 2.4
	150	200 x 200	5.7	20	31	2.3 - 3.1	2.5 - 3.3	3.0 - 4.3	3.7 - 4.8
	150	300 x 300	5.7	14	29	2.0 - 2.7	2.2 - 2.8	2.7 - 3.8	3.4 - 4.6
100	150	400 x 400	5.7	12	26	1.8 - 2.5	2.0 - 2.7	2.6 - 3.5	3.3 - 4.4
	150	500 x 500	5.7	10	23	1.7 - 2.3	2.0 - 2.6	2.4 - 3.1	3.1 - 4.0
	200	300 x 300	3.2	8	22	1.7 - 2.3	2.0 - 2.6	2.2 - 3.0	3.0 - 4.0
	200	400 x 400	3.2	7	20	1.6 - 2.1	1.9 - 2.4	2.2 - 2.8	2.8 - 3.8
	200	500 x 500	3.2	5	17	1.5 - 2.0	1.7 - 2.2	2.0 - 2.6	2.5 - 3.5
	250	300 x 300	2.0	9	-	1.5 - 2.0	1.8 - 2.5	2.5 - 3.2	3.0 - 4.0
	150	200 x 200	6.8	29	35	2.8 - 3.8	3.1 - 4.2	3.7 - 5.0	4.4 - 6.0
	150	300 x 300	6.8	20	33	2.5 - 3.2	2.7 - 3.6	3.2 - 4.3	3.8 - 5.5
	150	400 x 400	6.8	18	30	2.2 - 3.0	2.5 - 3.4	2.9 - 4.1	3.8 - 5.3
	150	500 x 500	6.8	15	26	2.0 - 2.8	2.2 - 3.0	2.6 - 3.8	3.5 - 5.0
120	200	300 x 300	3.8	11	26	2.0 - 2.7	2.1 - 2.8	2.5 - 3.5	3.3 - 4.4
	200	400 x 400	3.8	9	24	1.8 - 2.5	2.0 - 2.7	2.5 - 3.5	3.2 - 4.2
	200	500 x 500	3.8	7	20	1.6 - 2.1	1.8 - 2.5	2.3 - 3.2	2.9 - 4.0
	250	300 x 300	2.5	10	18	2.0 - 2.7	2.2 - 2.9	2.5 - 3.5	3.2 - 4.5
	250	400 x 400	2.5	9	17	2.0 - 2.6	2.1 - 2.8	2.2 - 3.0	2.8 - 3.6
	200	300 x 300	4.5	16	30	2.4 - 3.2	2.6 - 3.6	3.3 - 4.2	4.1 - 5.3
	200	400 x 400	4.5	14	28	2.0 - 3.0	2.4 - 3.4	3.2 - 4.2	3.9 - 5.1
	200	500 x 500	4.5	10	25	1.8 - 2.8	2.2 - 3.1	3.0 - 4.0	3.7 - 4.9
	250	300 x 300	2.9	13	21	2.0 - 2.8	2.2 - 3.0	2.7 - 3.8	3.5 - 4.6
	250	400 x 400	2.9	11	20	1.9 - 2.6	2.2 - 2.8	2.7 - 3.6	3.3 - 4.4
140	250	500 x 500	2.9	7	18	1.6 - 2.4	2.0 - 2.8	2.7 - 3.3	3.2 - 4.4
	200	300 x 300	5.1	18	32	2.7 - 3.5	3.0 - 4.0	3.8 - 5.0	4.5 - 6.0
	200	400 x 400	5.1	14	30	2.4 - 3.3	2.8 - 3.7	3.6 - 4.8	4.4 - 5.8
	200	500 x 500	5.1	12	27	2.2 - 3.2	2.6 - 3.5	3.4 - 4.6	4.2 - 5.4
	250	300 x 300	3.3	15	22	2.4 - 3.5	2.5 - 3.5	3.2 - 4.4	4.0 - 5.0
	250	400 x 400	3.3	12	21	2.1 - 3.0	2.4 - 3.3	3.0 - 4.2	3.8 - 4.8
160	250	500 x 500	3.3	8	19	1.8 - 2.7	2.3 - 3.0	3.0 - 4.0	3.6 - 5.0
	200	300 x 300	5.7	23	34	3.0 - 4.0	3.5 - 4.5	4.2 - 5.4	5.0 - 6.5
	200	400 x 400	5.7	20	33	2.8 - 3.8	3.3 - 4.4	4.1 - 5.2	4.9 - 6.4
	200	500 x 500	5.7	15	30	2.5 - 3.5	3.0 - 4.0	3.9 - 5.0	4.6 - 6.2
	250	300 x 300	3.7	17	24	2.5 - 3.3	3.0 - 3.8	3.8 - 4.8	4.6 - 6.0
	250	400 x 400	3.7	14	23	2.4 - 3.2	2.8 - 3.6	3.7 - 4.6	4.5 - 5.6
180	250	500 x 500	3.7	9	21	2.1 - 3.0	2.6 - 3.3	3.5 - 4.4	4.2 - 5.5
	200	300 x 300	6.4	28	36	3.2 - 4.2	3.7 - 4.8	4.6 - 6.0	5.6 - 7.2
	200	400 x 400	6.4	22	34	3.0 - 4.1	3.5 - 4.8	4.5 - 5.7	5.4 - 7.0
	200	500 x 500	6.4	17	31	2.7 - 3.8	3.3 - 4.2	4.2 - 5.5	5.1 - 6.5
	250	300 x 300	4.1	20	26	2.7 - 3.7	3.3 - 4.2	4.0 - 5.3	5.0 - 6.5
	250	400 x 400	4.1	16	25	2.5 - 3.5	3.0 - 4.0	3.8 - 5.0	4.7 - 6.2
200	250	500 x 500	4.1	11	23	2.2 - 3.2	2.8 - 3.7	3.6 - 4.7	4.4 - 5.8
	300	400 x 400	2.8	8	19	2.0 - 3.0	2.5 - 3.6	3.5 - 4.5	4.5 - 6.0
	300	500 x 500	2.8	8	18	1.8 - 2.7	2.3 - 3.2	3.0 - 4.0	4.0 - 5.2
	350	400 x 400	2.1	7	18	1.8 - 3.0	2.5 - 3.5	3.0 - 4.2	4.2 - 5.5
	350	500 x 500	2.1	6	17	1.5 - 2.5	2.0 - 3.0	2.7 - 3.8	3.6 - 4.9

# Technical Data Multi-Cone Diffusers



q (l/s)	Ø	A x B	Vn (M/s)	Ps (Pascals)	NC	44 (4-Way)	43 (3-Way)	42 (2-Way)	41 (1-Way)	
220	200	300 x 300	7.0	30	38	3.5-4.5	4.0-5.0	5.0-6.3	6.0-7.5	
	200	400 x 400	7.0	26	36	3.3-4.3	3.8-4.8	4.8-6.0	5.8-7.3	
	200	500 x 500	7.0	20	33	3.0-4.0	3.6-4.4	4.5-5.8	5.5-6.9	
	250	300 x 300	4.5	23	30	3.0-4.0	3.4-4.2	4.2-5.5	5.3-6.5	
	250	400 x 400	4.5	20	29	2.7-3.8	3.2-4.1	4.0-5.3	5.1-6.3	
	250	500 x 500	4.5	15	26	2.4-3.4	3.0-4.0	3.8-5.0	4.8-6.0	
	300	400 x 400	3.1	13	23	2.4-3.4	3.0-4.0	3.6-4.8	4.5-5.8	
	300	500 x 500	3.1	12	22	2.2-3.2	2.8-3.8	3.4-4.6	4.4-5.6	
	350	400 x 400	2.3	10	20	2.0-3.0	2.8-3.8	3.4-4.4	4.4-5.4	
	350	500 x 500	2.3	8	18	1.8-2.9	2.6-3.4	3.2-4.4	4.4-5.4	
240	250	300 x 300	4.9	28	32	3.3-4.3	3.7-4.6	4.6-6.2	5.8-7.2	
	250	400 x 400	4.9	23	30	3.0-4.0	3.4-4.2	4.3-5.8	5.4-6.6	
	250	500 x 500	4.9	18	28	2.8-3.7	3.2-4.0	4.0-5.5	5.1-6.2	
	300	400 x 400	3.4	14	24	2.8-3.7	3.2-4.2	4.0-5.3	4.8-6.0	
	300	500 x 500	3.4	13	23	2.4-3.5	3.0-4.0	3.6-5.0	4.5-5.7	
	350	400 x 400	2.5	11	21	2.2-3.2	2.8-3.8	3.4-4.8	4.5-5.7	
	350	500 x 500	2.5	9	19	2.0-3.0	2.6-3.5	3.2-4.5	4.5-5.7	
	250	300 x 300	5.3	32	35	3.5-4.6	4.0-5.0	5.0-7.0	6.2-7.8	
	250	400 x 400	5.3	27	32	3.3-4.4	3.7-4.5	4.5-6.6	5.8-7.2	
	250	500 x 500	5.3	22	30	3.0-4.0	3.5-4.3	4.3-6.2	5.5-7.0	
260	300	400 x 400	3.7	16	26	2.8-3.8	3.4-4.1	4.3-6.0	5.2-6.8	
	300	500 x 500	3.7	14	24	2.6-3.5	3.2-4.0	4.0-5.5	5.0-6.5	
	350	400 x 400	2.7	13	23	2.4-3.4	3.0-4.0	3.9-5.5	4.8-6.3	
	350	500 x 500	2.7	11	20	2.3-3.1	2.8-3.7	3.7-5.0	4.5-6.0	
	250	300 x 300	5.7	35	38	3.7-4.9	4.2-5.2	5.4-7.2	6.8-8.3	
	250	400 x 400	5.7	31	36	3.4-4.7	3.9-4.8	5.0-6.9	6.8-8.0	
	250	500 x 500	5.7	25	33	3.2-4.3	3.7-4.7	4.7-6.6	6.0-7.7	
	300	400 x 400	4.0	20	29	3.2-4.5	3.6-4.5	4.7-6.4	5.8-7.5	
	300	500 x 500	4.0	18	26	2.9-3.8	3.4-4.3	4.5-6.1	5.6-7.3	
	350	400 x 400	2.9	15	25	2.7-3.5	3.1-4.0	4.5-6.0	5.5-7.0	
280	350	500 x 500	2.9	13	22	2.5-3.2	2.9-3.8	4.3-5.7	5.3-7.0	
	250	300 x 300	6.1	40	43	3.9-5.2	4.5-5.6	6.0-7.5	7.3-8.8	
	250	400 x 400	6.1	35	41	3.6-5.0	4.3-5.3	5.8-7.3	7.1-8.6	
	250	500 x 500	6.1	28	38	3.5-4.5	4.0-5.0	5.4-7.0	6.7-8.5	
	300	400 x 400	4.2	25	32	3.5-4.5	4.0-5.0	5.2-6.8	6.5-8.2	
	300	500 x 500	4.2	20	29	3.2-4.2	3.5-4.5	5.2-6.8	6.5-8.2	
	350	400 x 400	3.1	18	27	3.0-4.0	3.4-4.5	5.2-6.7	6.3-8.0	
	350	500 x 500	3.1	16	25	2.8-3.6	3.3-4.2	5.0-6.3	6.0-7.5	
	300	250	500 x 500	6.5	32	40	3.8-5.0	4.4-5.8	5.8-7.3	7.2-9.0
		300	400 x 400	4.5	27	34	3.7-4.7	4.2-5.3	5.4-7.0	6.8-8.5
300		500 x 500	4.5	22	30	3.4-4.4	3.8-5.0	5.2-6.5	6.3-8.0	
350		400 x 400	3.3	21	30	3.3-4.2	3.6-4.7	4.9-6.3	6.0-7.5	
350		500 x 500	3.3	18	26	3.0-4.0	3.6-4.6	4.6-6.1	6.0-7.5	
320	250	500 x 500	6.9	37	43	4.2-5.5	5.0-6.4	6.2-7.6	7.8-9.5	
	300	400 x 400	4.8	29	37	4.0-5.0	4.5-5.6	5.8-7.0	7.2-9.0	
	300	500 x 500	4.8	25	32	3.7-4.8	4.2-5.4	5.4-6.8	6.6-8.5	
	350	400 x 400	3.6	24	32	3.6-4.6	4.0-5.1	5.2-6.6	6.3-8.0	
	350	500 x 500	3.6	21	29	3.4-4.3	3.8-4.8	5.1-6.5	6.3-8.0	
340	300	400 x 400	5.2	31	38	4.6-6.0	5.0-6.2	6.6-8.2	7.6-9.5	
	300	500 x 500	5.2	28	34	4.1-5.4	4.5-5.8	6.0-7.5	7.0-9.0	
	350	400 x 400	3.9	26	34	4.0-5.4	4.2-5.6	5.6-7.2	6.6-8.5	
	350	500 x 500	3.9	22	31	3.7-4.8	4.0-5.3	5.5-7.0	6.5-8.5	
370	300	400 x 400	5.7	33	39	5.0-6.3	5.5-6.6	7.0-8.7	8.0-10.0	
	300	500 x 500	5.7	30	36	4.5-6.0	4.8-6.3	6.5-8.4	7.4-9.4	
	350	400 x 400	4.2	28	35	4.3-5.7	4.5-6.0	6.3-8.2	7.2-9.3	
	350	500 x 500	4.2	23	33	4.0-5.5	4.3-5.7	6.0-8.0	7.0-9.0	
400	300	400 x 400	6.4	38	43	5.5-6.9	6.2-7.4	7.6-9.3	9.0-11.5	
	300	500 x 500	6.4	36	40	5.0-6.4	5.5-7.0	7.2-8.8	8.2-10.5	
	350	400 x 400	4.7	34	39	5.0-6.2	5.5-7.0	6.9-8.5	8.0-10.0	
	350	500 x 500	4.7	28	36	4.5-5.8	4.9-6.3	6.4-8.0	7.6-10.0	
450	350	400 x 400	5.2	41	44	5.7-6.9	6.2-7.7	8.0-10.0	9.5-12.0	
	350	500 x 500	5.2	36	42	5.2-6.5	5.6-7.0	7.0-9.0	8.5-11.0	

# Technical Data Multi-Cone Diffusers (Extract)



A x B	Nomenclature	Vn (Ms)	Vn (Ms)	Vn (Ms)	Vn (Ms)	Vn (Ms)	Vn (Ms)	Vn (Ms)	Vn (Ms)	Vn (Ms)
		1.0	1.25	1.50	1.75	2.0	2.25	2.50	2.75	3.0
150 x 150 An .0225 M <sup>2</sup>	q (l/s)	-	30	35	40	45	50	55	60	65
	Psn (Pa)	-	9	9	11	13	18	21	24	30
	Vf (M/s)	-	.52	.60	.69	.78	.87	.95	1.04	1.13
	NC	-	-	-	-	-	-	17	20	23
200 x 200 An .04 M <sup>2</sup>	q (l/s)	40	50	60	70	80	90	100	110	120
	Psn (Pa)	9	10	10	13	16	20	24	29	36
	Vf (M/s)	.48	.59	.71	.83	.95	1.07	1.19	1.30	1.43
	NC	-	-	-	17	18	19	21	22	25
300 x 150 An .045 M <sup>2</sup>	q (l/s)	45	55	70	80	90	100	110	120	130
	Psn (Pa)	9	10	10	14	20	25	30	35	43
	Vf (M/s)	.48	.59	.75	.85	.96	1.07	1.18	1.28	1.39
	NC	-	-	17	18	19	20	23	26	28
250 x 250 An .0625 M <sup>2</sup>	q (l/s)	65	80	95	110	125	140	155	170	185
	Psn (Pa)	9	10	10	12	17	21	25	30	35
	Vf (M/s)	.56	.69	.82	.95	1.08	1.21	1.34	1.47	1.60
	NC	-	-	-	-	18	21	24	28	30
450 x 150 An .0675 M <sup>2</sup>	q (l/s)	70	85	100	115	135	150	170	185	200
	Psn (Pa)	12	15	18	23	31	39	47	55	66
	Vf (M/s)	.54	.65	.77	.88	1.04	1.15	1.31	1.42	1.54
	NC	-	-	-	-	18	21	24	28	30
300 x 300 An .09 M <sup>2</sup>	q (l/s)	90	115	135	160	180	200	225	245	270
	Psn (Pa)	9	10	11	13	17	21	24	29	35
	Vf (M/s)	.59	.76	.89	1.05	1.18	1.31	1.48	1.61	1.78
	NC	-	-	17	18	21	24	28	32	34
500 x 200 An .10 M <sup>2</sup>	q (l/s)	100	125	150	175	200	225	250	275	300
	Psn (Pa)	11	12	14	19	25	30	36	43	52
	Vf (M/s)	.59	.74	.88	1.03	1.18	1.32	1.47	1.61	1.75
	NC	-	-	17	19	21	24	28	33	35
350 x 350 An .1225 M <sup>2</sup>	q (l/s)	120	150	185	215	245	275	305	335	365
	Psn (Pa)	11	12	14	18	23	28	34	39	46
	Vf (M/s)	.62	.74	.96	1.11	1.27	1.42	1.58	1.73	1.89
	NC	-	-	16	18	22	25	29	33	37
450 x 300 An .135 M <sup>2</sup>	q (l/s)	135	165	200	235	270	300	335	370	405
	Psn (Pa)	11	11	13	17	22	27	33	39	47
	Vf (M/s)	.64	.79	.95	1.12	1.29	1.43	1.60	1.76	1.92
	NC	-	-	17	19	22	25	29	33	37
400 x 400 An .16 M <sup>2</sup>	q (l/s)	160	200	240	280	320	360	400	440	480
	Psn (Pa)	11	12	14	18	24	31	37	43	52
	Vf (M/s)	.66	.83	1.0	1.16	1.33	1.50	1.66	1.83	2.0
	NC	-	17	19	20	23	25	30	35	39
600 x 300 An .18 M <sup>2</sup>	q (l/s)	180	225	270	315	360	400	450	495	540
	Psn (Pa)	12	13	17	22	31	38	46	54	64
	Vf (M/s)	.66	.83	1.0	1.17	1.34	1.49	1.67	1.84	2.0
	NC	17	18	20	22	26	29	34	36	41
450 x 450 An .2025 M <sup>2</sup>	q (l/s)	200	250	300	350	400	450	500	550	600
	Psn (Pa)	12	13	17	21	27	34	41	48	57
	Vf (M/s)	.68	.86	1.03	1.20	1.37	1.54	1.71	1.90	2.07
	NC	18	20	21	23	28	32	36	38	42
500 x 500 An .25 M <sup>2</sup>	q (l/s)	250	310	375	435	500	560	625	685	750
	Psn (Pa)	12	14	17	21	27	34	42	49	59
	Vf (M/s)	.71	.89	1.08	1.25	1.44	1.61	1.80	1.97	2.16
	NC	18	20	22	25	30	34	37	40	45
550 x 550 An .3025 M <sup>2</sup>	q (l/s)	300	375	450	525	600	675	750	830	905
	Psn (Pa)	12	14	18	23	31	38	46	54	65
	Vf (M/s)	.73	.91	1.10	1.28	1.46	1.65	1.83	2.02	2.20
	NC	19	21	23	27	33	36	38	42	47
600 x 600 An .36 M <sup>2</sup>	q (l/s)	360	450	540	630	720	810	900	990	1080
	Psn (Pa)	13	16	21	26	35	41	47	56	67
	Vf (M/s)	.76	.95	1.13	1.32	1.51	1.70	1.89	2.08	2.27
	NC	21	23	25	29	35	39	43	45	48