

Polypropylene Air Valves

Description

For supply or extract air, having fully adjustable inner core which regulates air volume, noise level and pressure drop. Suitable for ceiling and duct mounting.

Construction

From self extinguishing flame retardant polypropylene, self coloured white.

Size

Available in 100mm, 150mm and 200mm Ø.

How to Specify

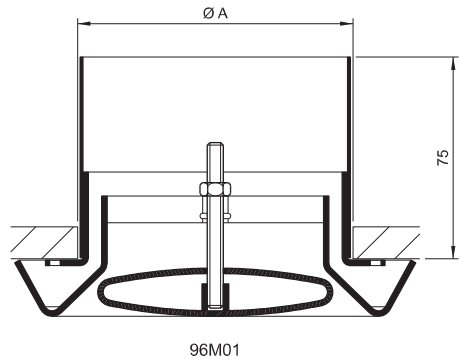
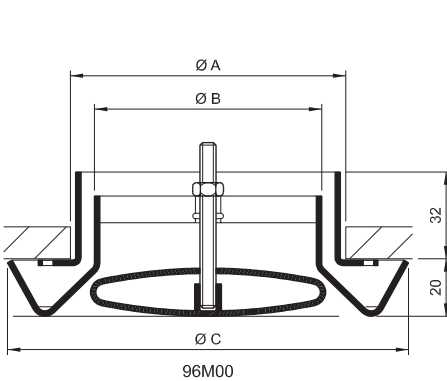
STATE QUANTITY, THE PRODUCT CODING AND THE SIZE WIDTH X HEIGHT
 e.g. 10 Qty. 96M00+1B 150 Ø.



Frame Style	Core	Options	Accessories
96 Circular	M Polypropylene	0 None	0 None
			1 75mm Extension Collar



Fixings	Finish
1 Mounting Collar	B Self Coloured White



96M00			
Size	Dimensions (mm)		
	Ø A	Ø B	Ø C
Ø 100	100	80	150
Ø 150	150	120	190
Ø 200	200	170	240